

2 mm Square Low-Profile SMT Trimmer Potentiometers (Cermet, Open Frame Type)

Type: **EVM2T**
EVM2N
EVM2W



2T



2N



2W

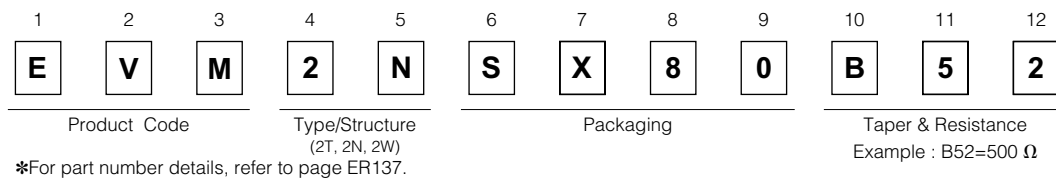
■ Features

- Low-profile
0.7 mm (0.75 mm max.) EVM2T
0.81 mm (0.95 mm max.) EVM2N
1.05 mm (1.2 mm max.) EVM2W
- Automatic adjustment type (EVM2W)
- High reliability realized by cermet element
- Excellent mountability
- Conforms to JIS C5260-1:1999

■ Recommended Applications

- Audio/visual, office, and communication equipment
- General electronic equipment

■ Explanation of Part Numbers



■ Specifications

| | |
|--|---|
| Total Resistance Value Resistance Tolerance | 100 Ω to 1 MΩ ±25 % |
| Power Rating Maximum Operating Voltage | 0.15 W 50 V |
| Rotation Torque | EVM2T, EVM2N : 0.5 to 10 mN·m EVM2W : 1 to 15 mN·m |
| Temperature Coefficient of Resistance | ±250 × 10 ⁻⁶ /°C |


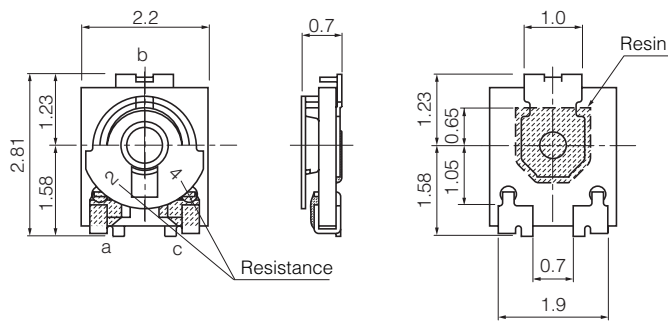
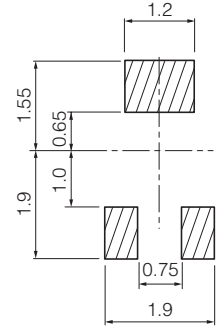
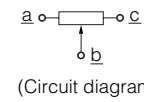
■ Minimum Quantity/Packing Unit

| Part Number | Taping | | |
|-------------------------|-------------------|--------------------|-------------------|
| | Quantity per reel | Packaging quantity | Dia. of reel (mm) |
| EVM2T EVM2N EVM2W | 3000 | 15000 | φ178 |


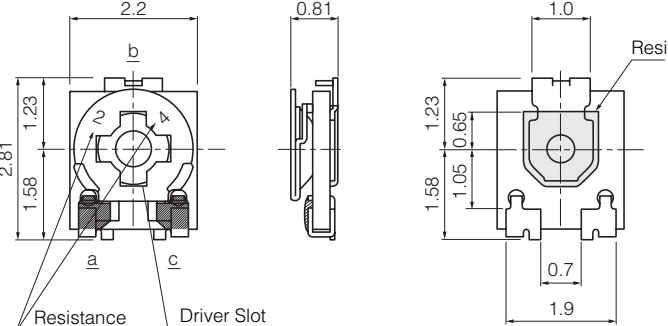
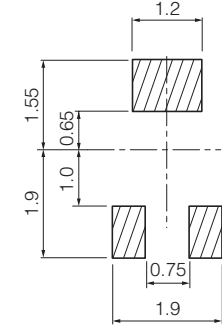
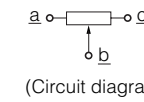
The standard packaging methods for a reel is φ178.
Please contact us, if you would like different packaging methods. (Bulk, Reel of φ330, Reel of φ380)

■ Dimensions in mm (not to scale)


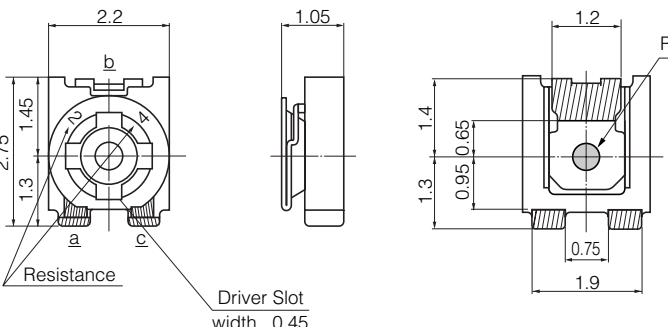
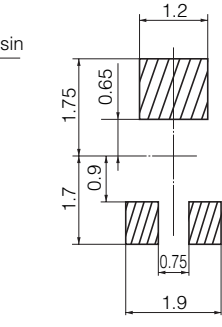
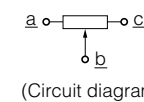
● 3-terminal/Low-profile EVM2T

| | | |
|---|--|--|
| <p>No. 1</p>  |  | <p>(Recommended Land Pattern)</p>  <p>(Circuit diagram)</p>  |
| <p>Mass (Weight) : 11 mg/pc.</p> | | |

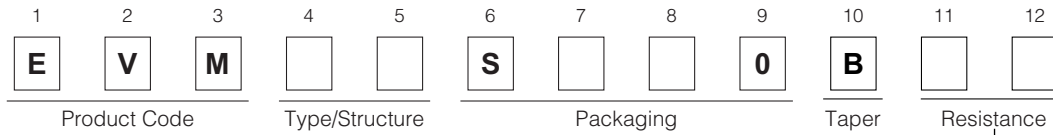
● 3-terminal/Low-profile EVM2N

| | | |
|---|--|---|
| <p>No. 2</p>  |  <p>Driver Slot width 0.45 length 1.3 depth 0.2</p> | <p>(Recommended Land Pattern)</p>  <p>(Circuit diagram)</p>  |
| <p>Mass (Weight) : 13 mg/pc.</p> | | |

● 3-terminal, for Automatic Trimming Adjustment/Low-profile EVM2W

| | | |
|---|---|--|
| <p>No. 3</p>  |  <p>Driver Slot width 0.45 length 1.45 depth 0.35</p> | <p>(Recommended Land Pattern)</p>  <p>(Circuit diagram)</p>  |
| <p>Mass (Weight) : 17 mg/pc.</p> | | |

Explanation of Part Numbers



| 6th | 7th | Packaging |
|-----|-----|---|
| S | X | Carrier tape (7th: Direction of insertion. Refer to Packaging Specifications) |
| | W | |

* The standard of direction of insertion is a direction X.
EVM2T/2N type be only direction X.

| 8th | Quantity | Type |
|-----|----------|-------------------------------|
| 3 | 1000 | EVM1D, EVM1E, EVM1U |
| 5 | 2000 | EVM3Y, EVM3S, EVM3R, EVM3V |
| 8 | 3000 | EVM2T, EVM2N, EVM2W, EVM3W |

| Classification | Type | Symbol(1th to 5th) |
|----------------|--------------|---|
| Cermet | 2 mm Open | EVM2T, EVM2N, EVM2W (low-profile) |
| | 3 mm Open | EVM3Y, EVM3S EVM3R, EVM3W(low-profile) EVM3V(with rotation stopper) |
| | 4 mm Open | EVM1D, EVM1E EVM1U |

| Symbol | Resistance | EVM2T EVM2N EVM2W EVM3Y EVM3S EVM3W EVM3V EVM1D EVM1E EVM1U | EVM3R |
|--------|------------|--|-------|
| 12 | 100 Ω | ○ | — |
| C2 | 150 Ω | ○ | — |
| 22 | 200 Ω | ○ | — |
| E2 | 220 Ω | ○ | — |
| 32 | 300 Ω | ○ | — |
| Y2 | 330 Ω | ○ | — |
| Q2 | 470 Ω | ○ | — |
| 52 | 500 Ω | ○ | ○ |
| S2 | 680 Ω | ○ | ○ |
| 13 | 1 kΩ | ○ | ○ |
| C3 | 1.5 kΩ | ○ | ○ |
| 23 | 2 kΩ | ○ | ○ |
| E3 | 2.2 kΩ | ○ | ○ |
| 33 | 3 kΩ | ○ | ○ |
| Y3 | 3.3 kΩ | ○ | ○ |
| Q3 | 4.7 kΩ | ○ | ○ |
| 53 | 5 kΩ | ○ | ○ |
| S3 | 6.8 kΩ | ○ | ○ |
| 14 | 10 kΩ | ○ | ○ |
| C4 | 15 kΩ | ○ | ○ |
| 24 | 20 kΩ | ○ | ○ |
| E4 | 22 kΩ | ○ | ○ |
| 34 | 30 kΩ | ○ | ○ |
| Y4 | 33 kΩ | ○ | ○ |
| Q4 | 47 kΩ | ○ | ○ |
| 54 | 50 kΩ | ○ | ○ |
| S4 | 68 kΩ | ○ | ○ |
| 15 | 100 kΩ | ○ | ○ |
| C5 | 150 kΩ | ○ | ○ |
| 25 | 200 kΩ | ○ | ○ |
| E5 | 220 kΩ | ○ | ○ |
| 35 | 300 kΩ | ○ | ○ |
| Y5 | 330 kΩ | ○ | ○ |
| Q5 | 470 kΩ | ○ | ○ |
| 55 | 500 kΩ | ○ | ○ |
| S5 | 680 kΩ | ○ | ○ |
| 16 | 1 MΩ | ○ | ○ |

